

Diamonds Quilt (Q-024)



Fabric requirements



Fabric A: 4142304 #2
1 yard



Fabric B: 4142306 #1
1 yard



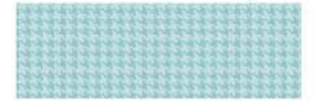
Fabric C: 4142305 #1
1 yard



Fabric D: 4142301 #1
1 yard



Fabric E: 4142307 #4
1 yard



Fabric F: 4142307 #1
1-1/8 yards



Fabric G: 4142307 #3
1-1/8 yards



Fabric H: 4142307 #2
1-1/8 yards



Binding: 4142305 #2
1/2 yard



Backing: 4142306 #2
3-1/2 yards

Finished Size: 60" x 72"



Exclusive quilt design by Nicole Maroon of The Girl Who Quilts for Camelot Fabrics
Fabric collection: Dog Gone It by Jack!e McFee for Camelot Fabrics.
Assembly directions available at camelotfabrics.com
The direction of the fabrics in the digital imagery may not be accurate to the final product.



Blog, Facebook, Twitter @CamelotFabrics
Pinterest, YouTube & Instagram @Camelot_Fabrics
camelotfabrics.com • camelotfabricsblog.com
Toll-Free: 1-800-361-4120 • 514-382-2400
info@camelotfabrics.com • www.camelotfabrics.com

OTHER TOOLS & SUPPLIES

- Rotary cutter & mat
- Sewing machine & coordinating thread
- Iron & pressing surface
- Pencil
- 65" x 80" quilt batting

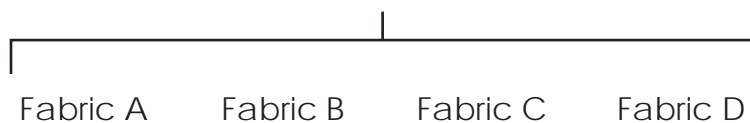
NOTES

- For best results read through all the instructions before starting.
- Please wash, dry & iron your fabric before beginning, and trim selvages.
- Unless otherwise directed, sew all seams with a scant 1/4" allowance and the fabrics' Right Sides together, and press seams open as you go.
- WOF = Width of Fabric
- FQ = Fat Quarter

CUTTING

From each:

Cut (5) 6" x WOF strips - sub-cut (30) 6" squares.



Fabric E

Cut (9) 3" x WOF strips.

Sub-cut (120) 3" squares.

Fabric F

Cut (6) 1" x WOF strips - sub-cut (40) 1" x 6" rectangles.

Cut (7) 1" x WOF strips - sub-cut (40) 1" x 6-1/2" rectangles.

Cut (5) 4-1/2" x WOF strips - sub-cut (40) 4-1/2" squares.

Fabric G

Cut (6) 1" x WOF strips - sub-cut (40) 1" x 6" rectangles.

Cut (7) 1" x WOF strips - sub-cut (40) 1" x 6-1/2" rectangles.

Cut (5) 4-1/2" x WOF strips - sub-cut (40) 4-1/2" squares.

Fabric H

Cut (6) 1" x WOF strips - sub-cut (40) 1" x 6" rectangles.

Cut (7) 1" x WOF strips - sub-cut (40) 1" x 6-1/2" rectangles.

Cut (5) 4-1/2" x WOF strips - sub-cut (40) 4-1/2" squares.

Binding

Cut (7) 2-1/2" x WOF strips.

Backing

Cut (2) 63" x WOF rectangles.

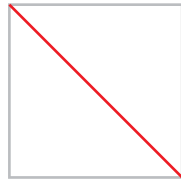


PREPARATION

Draw diagonal lines across the Wrong Sides of all Fabric E, F, G & H squares as shown.



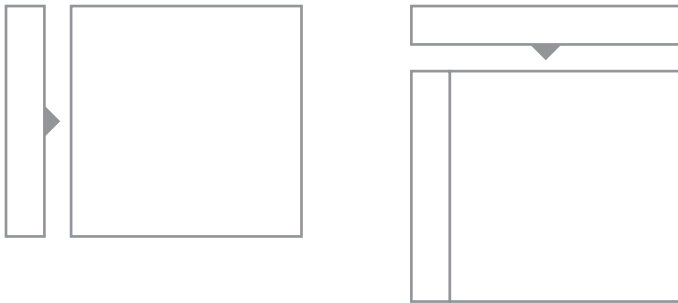
Fabric E:
3" squares



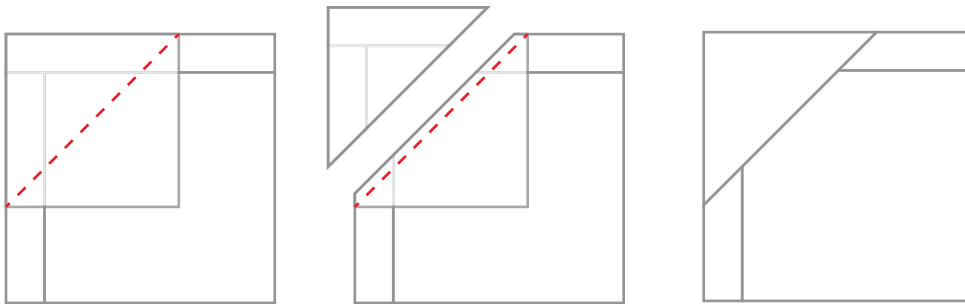
Fabrics F, G, H:
4-1/2" squares

MAKING THE BLOCKS

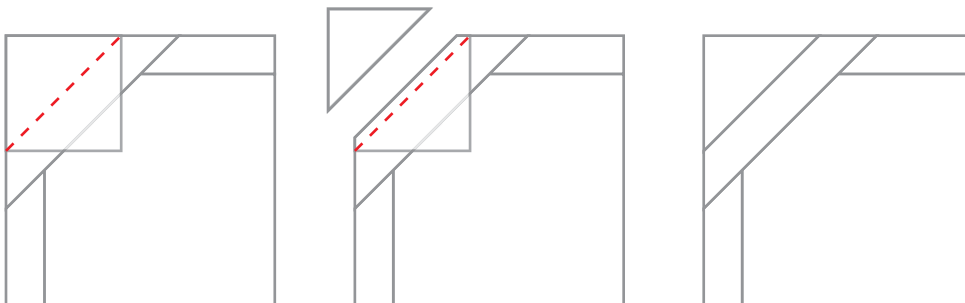
1. Sew a 1" x 6" Fabric F rectangle to the left-hand side of a 6" Fabric A square.
2. Sew a 1" x 6-1/2" Fabric F rectangle to the top edge of the F-A unit.



3. Sew a 4-1/2" Fabric F square to the top-left corner of the F-A unit as shown, RST, stitching along the diagonal line you drew on the Fabric F square.
4. Trim the excess fabric as shown, 1/4" from the seam, and open up the seam.



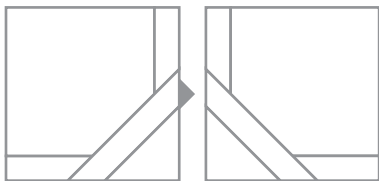
5. Sew a 3" Fabric E square to the white corner of the unit as shown, in the same manner that you used to add your Fabric F square.



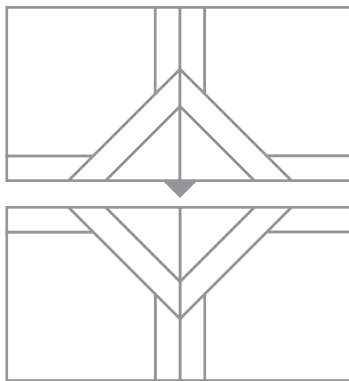
Repeat Steps 1-5 to make (10) Fabric A units, (10) Fabric B units,
(10) Fabric C units & (10) Fabric D units - (40) total.

6. Sew the Fabric A & C units, and Fabric B & D units, in pairs as shown.

7. Sew the pairs together to make (10) blocks.



Make (20) A/C units
and (20) B/D units.



Make (10)

Repeat Steps 1-7, using Fabrics G & H in place of Fabric F. Make (10) blocks with Fabric G, and (10) blocks with Fabric H.

ASSEMBLY

1. Sew the blocks together in rows, referring to the quilt illustration on Page 1.
2. Sew the rows together top-to-bottom to complete the quilt top.

FINISHING

1. Join the Backing rectangles along their 63" edges.
2. Join your Binding strips end-to-end and press to make the binding.
3. Layer your Backing, batting & quilt top with the fabrics' Right Sides facing outward. Baste, quilt & bind as desired.