



Color Block Pillow (D-032)

Toll-Free: 1-800-361-4120 • 514-382-2400
 info@camelotfabrics.com • camelotfabrics.com

 Exclusive Project Design:
 Made by Marion for Camelot Fabrics

JACKIE
 THE BEACH HOUSE COLLECTION

- Skill Level: ●●●●●
- Approx. crafting time:
1-2 hours
- Final Size: 18"W x 18"H x 6"D



Fabric Requirements

- Fabric A - 1/2 yard of Beach House quilting cotton (44" wide) from Camelot Fabrics in 4141805 #2
- Fabric B - 1/2 yard of Beach House in 4141808 #2
- Fabric C - 1/3 yard of Beach House in 4141801 #2
- Backing - 1/2 yard of Fresh Solids quilting cotton (44" wide) from Camelot Fabrics in 214-0033 Tide

OTHER TOOLS & SUPPLIES

- 1/2 yard of fusible cotton interfacing (22" wide)
- (4) tassels
- 18" square pillow form
- paper printer
- 24" straight edge ruler
- basic sewing supplies
 - sewing machine
 - iron & pressing surface
 - scissors & fabric shears
 - measuring tape
 - pencil/fabric marker
 - straight pins
 - coordinating thread

NOTES

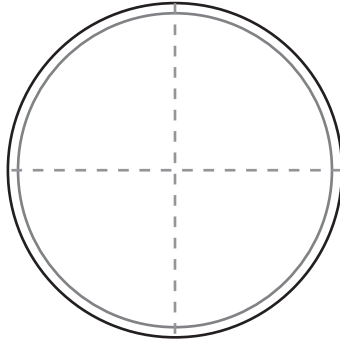
- Please wash, dry & iron your fabric before beginning, and trim selvages.
- Unless otherwise directed, sew all seams with a 1/2" seam allowance.
- WOF = width of fabric.
- RST = right sides together.

CUTTING

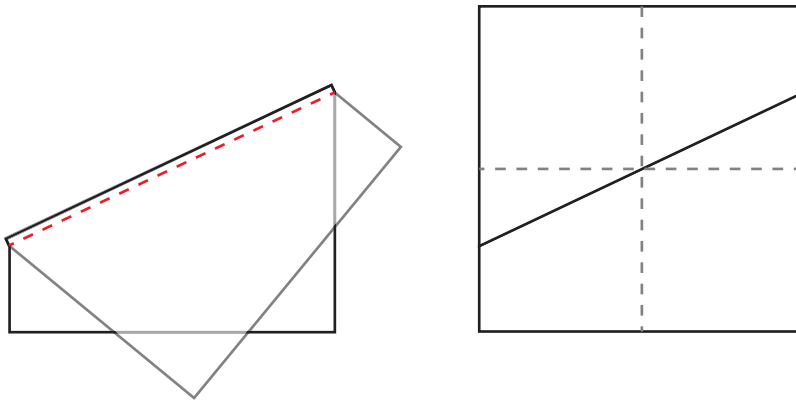
1. Print the Color Block Pillow Template at 100% size. Measure the test square to make sure the scale is correct.
2. Trim the borders from each page and tape the template pages together according to the numbered triangles.
3. Trace the Polygon template (1) time onto the Wrong Side of Fabrics A & B, paying attention to the direction of the grain line. Cut out these pieces.
4. Trace the Circle template (1) time onto the Wrong Side of Fabric C and cut it out.
5. Cut (2) 19" x 15" rectangles from your Backing fabric.

ASSEMBLY

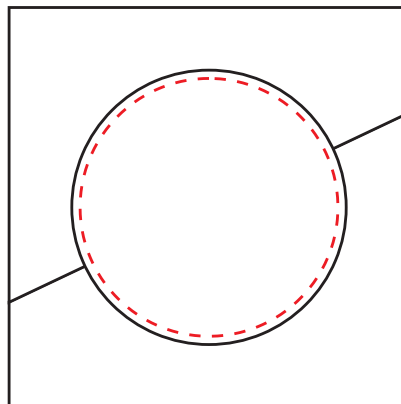
1. Fold & press a 1/4" hem along (1) long edge of each Backing piece, Wrong Sides together. Repeat this step to make a 1/4" rolled hem; topstitch the hem, 1/8" from the folded edge.
2. Place the Circle Wrong Side up on your ironing board, and cover it with the fusing, glue side down. Press well to bond the layers, and trim the excess fusing.
3. Fold & press a 1/4" hem all around the Circle's edge, Wrong Sides facing.
4. Fold the Circle in half and press lightly, making a crease through its center. Rotate the piece 90° and press again.



5. Sew the Polygons together along their slanted edges and press the seam open.
6. Fold & press the resulting square along its (2) central axes, as you did with the Circle.

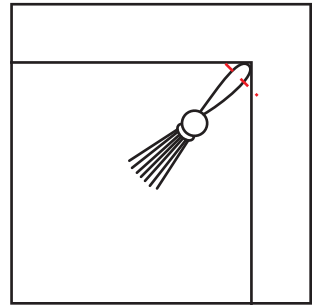


7. Place the Circle on the square pillow front, with the Wrong Side of the Circle against the Right Side of the square and the central creases aligned. Pin & topstitch the layers together with a 1/8" seam allowance from the Circle's folded edge.



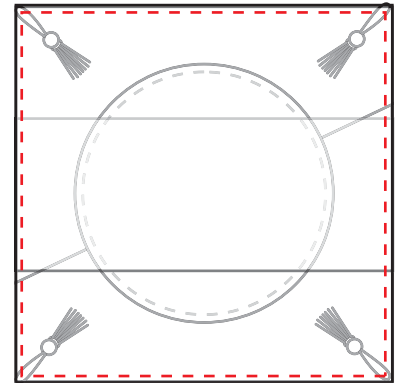
8. Press the pillow front to remove the central creases.

9. Sew each tassel to a corner of the pillow front's Right Side by its loop, as shown, with the tassel pointing toward the pillow's center.



10. Place your (2) backing rectangles on the pillow front, RST, so that the backing pieces' rolled hems are overlapping at the center of the pillow. Pin in place.

11. Sew the pillow backing to the pillow front around all (4) sides, backstitching at the beginning & end of the seam, and at the (4) points where the seam passes over one of the rolled hems. Make sure the tassels are out of the way of the seam.

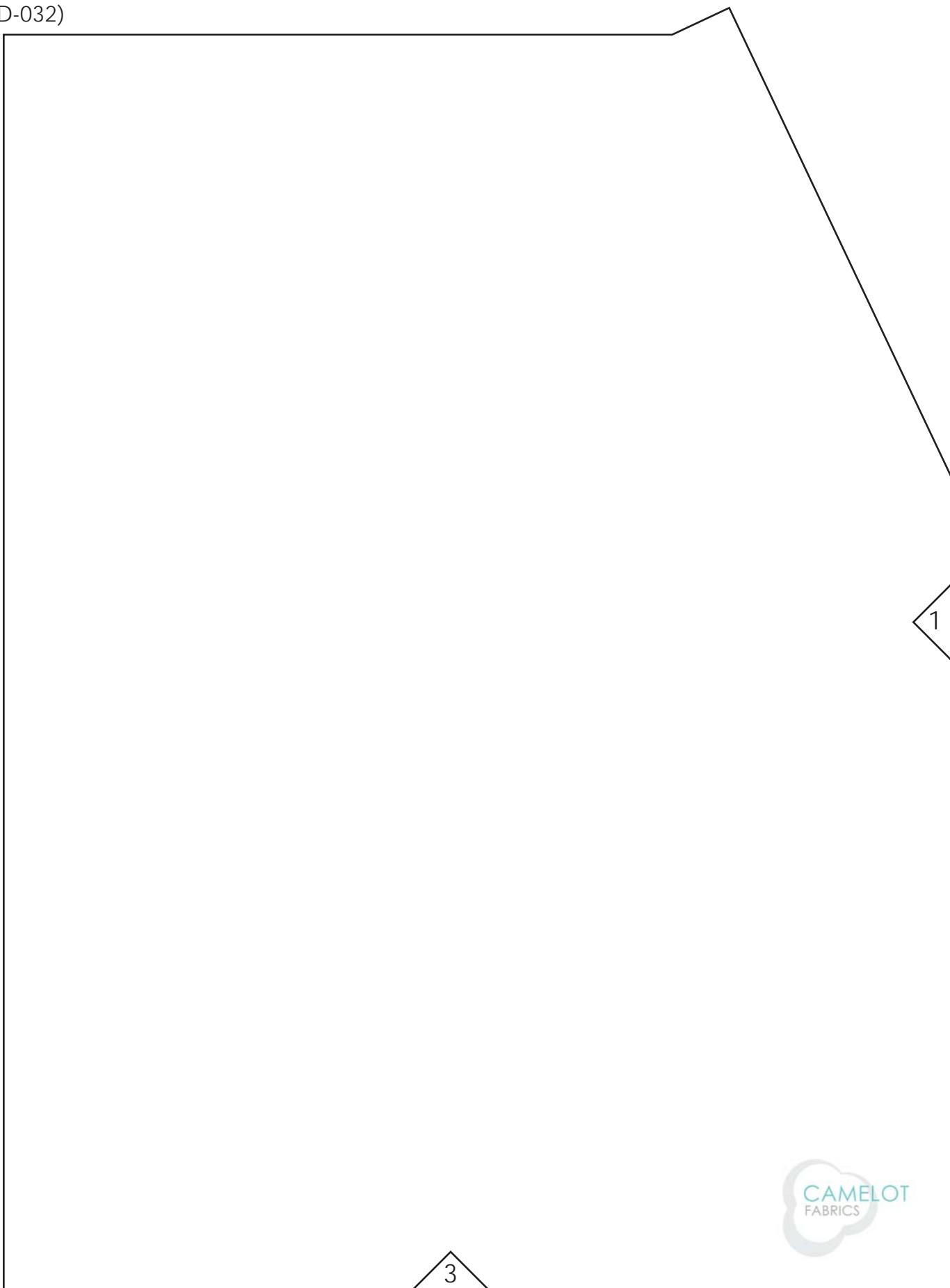


12. Clip your corners, being careful not to cut through the loops of the tassels, and press your seams open.

13. Turn the pillow cover Right Side out through the gap between the Backing panels. Poke out the corners, press the edges lightly and fit it over your pillow form.

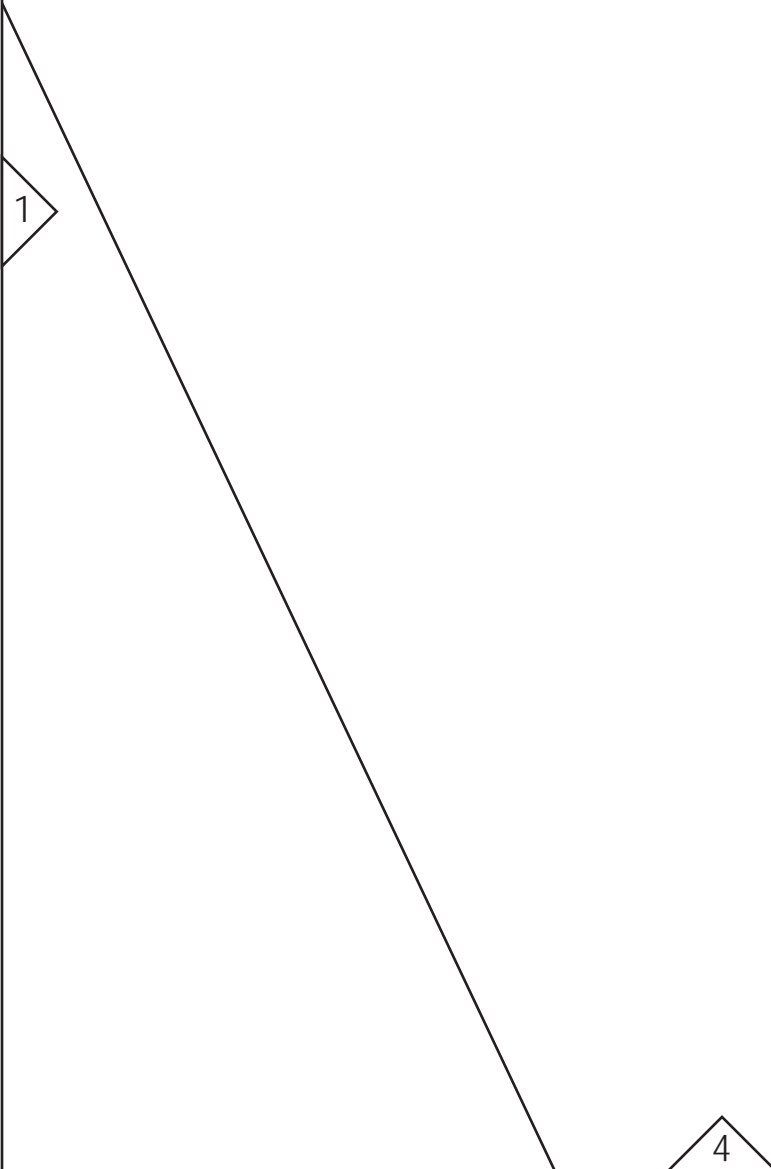
Color Block Pillow

(D-032)



Color Block Pillow

(D-032)



Color Block Pillow

(D-032)

3

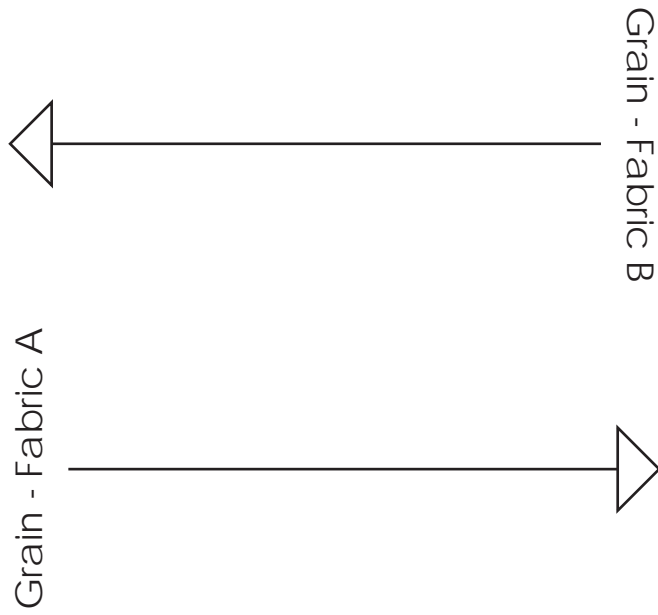
2



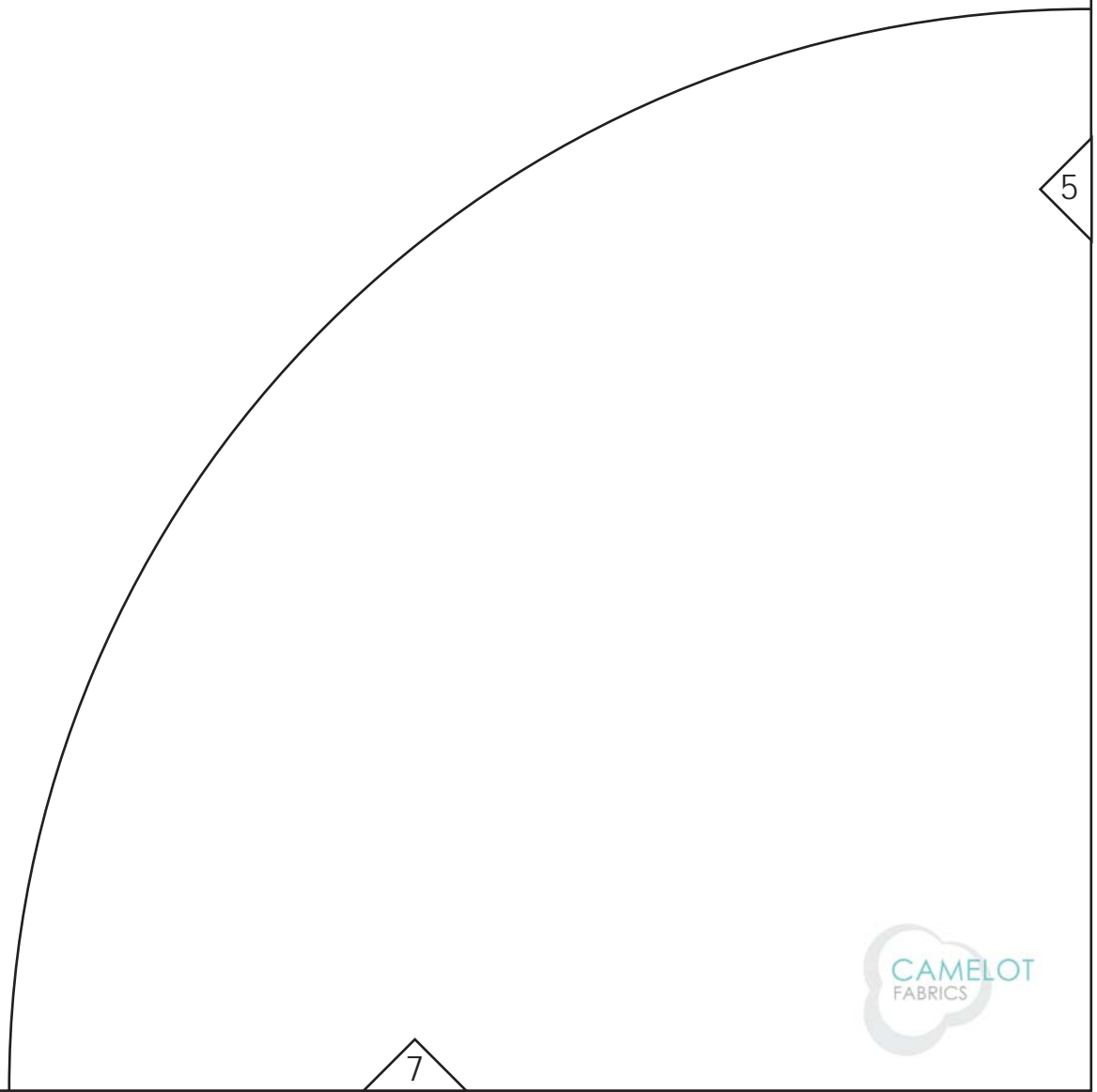
Color Block Pillow (D-032)

4

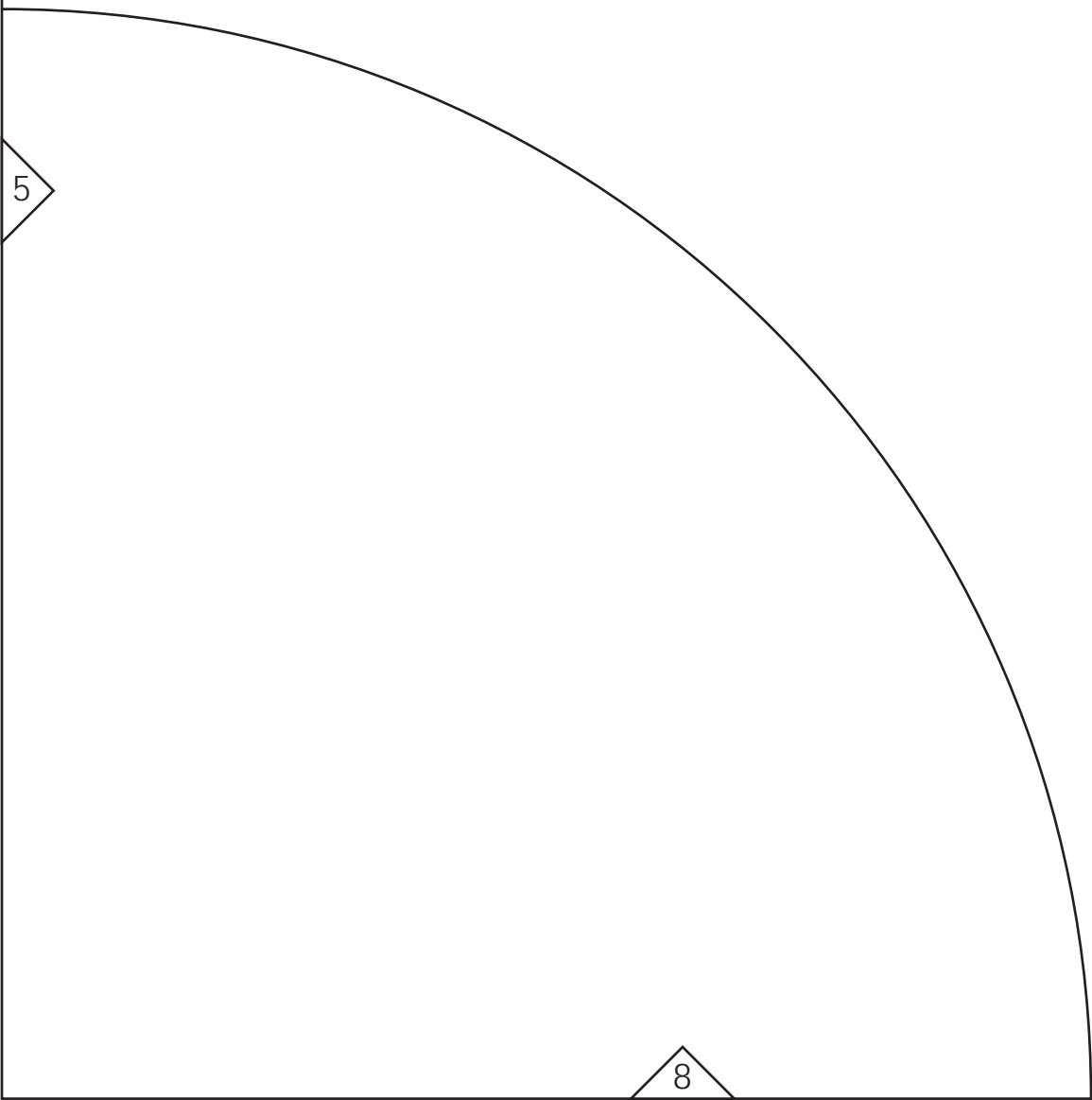
2



Color Block Pillow (D-032)



Color Block Pillow (D-032)



Color Block Pillow
(D-032)



Color Block Pillow (D-032)

8

6

